

AMA-7421AX-E01 (Pedestal Mount)

Pedestal Mount 21.5-inch Resistive Touch Screen Operator Workstation Powered by 802.3bt Type 3/4 PoE (Pedestal Mount)

Features

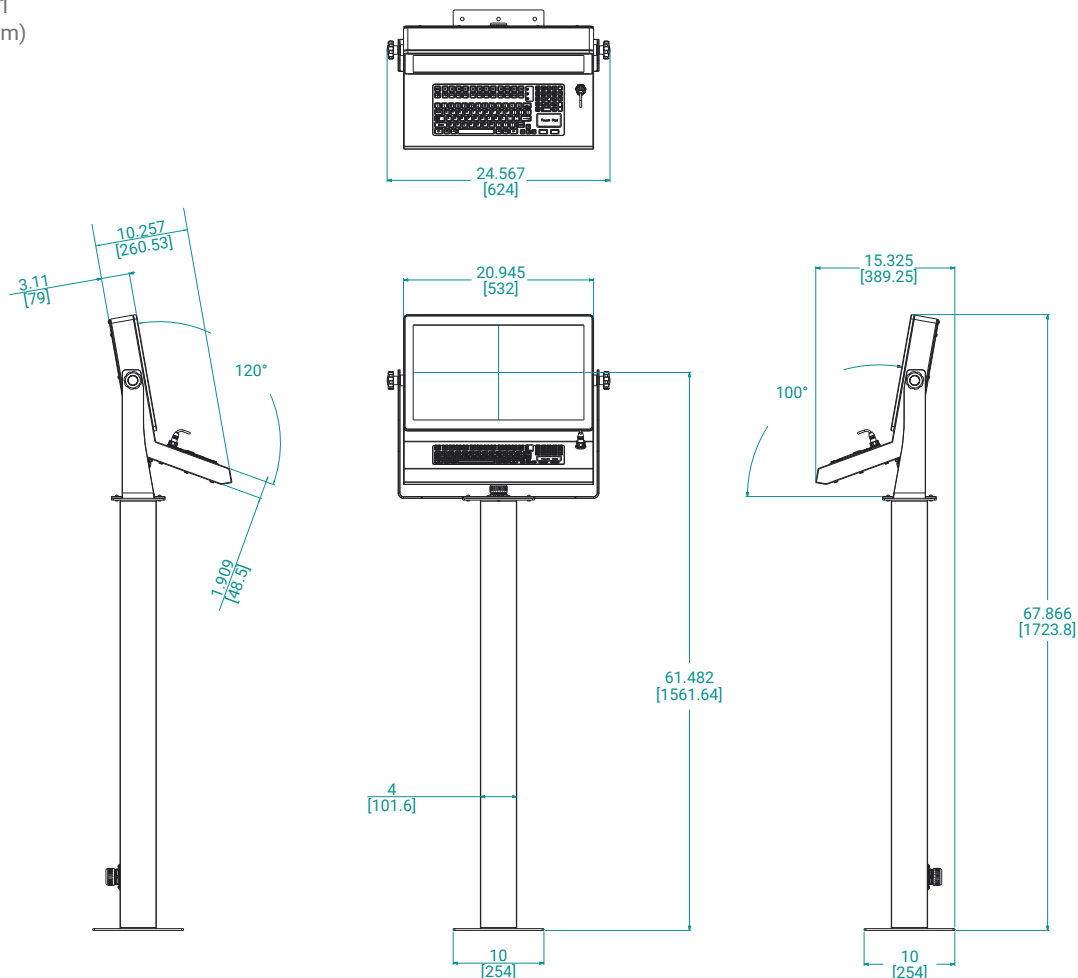
- 21.5" LCD, 1920 x 1080 Resolution
- Projected Capacitive Touch Screen
- Intel Celeron J1900 @ 1.99GHz / Atom E3845 @ 1.91GHz CPU
- Up to 8GB DDR3
- Stainless Steel Fully Closed Enclosure
- Meets NEMA 4X / IP66 Protection Requirements
- Stainless Steel Pedestal Included
- Waterproof Keyboard and Pointing Device
- Three Keyboard Options
- ThinManager Ready Version Available
- Powered By 802.3bt Type 3/4 PoE

Specifications

Model Name	AMA-7421AX-E01
LCD Display	
Display Size (Diagonal)	21.5 inch
Max Resolution	1920 x 1080
Backlight Lifetime (Hours)	50,000 hours
Visual Characteristics	
Colors	16.7 million
Aspect Ratio	16:9
Viewing Angle (V/H)	178° / 178°
Contrast Ratio	1000:1
Brightness	250 nits
Touch Screen	
Technology	Projected Capacitive
Interface	USB
Driver	Windows 7, Windows 10
System	
CPU	Intel Celeron J1900 @ 1.99GHz / Atom E3845 @ 1.91GHz CPU
Chipset	Bay Trail
Memory	Up to 8GB DDR3 SO-DIMM
Video Controller	Intel Gen7 Intel Graphics DX 11, OGL3.2
External Video Output	N/A
Storage Option	2.5" SSD
CFast	Optional
Keyboard	Membrane or Silicon Rubber Keyboard
Mouse	Pointing Device or Touch Pad
Audio	N/A
Watchdog Timer	Programmable 1 - 255 sec
Remote Boot	ThinManager Ready, PXE
Expansion Slot	N/A
I/O Communication	
USB Port	1 x USB 2.0
Serial Port	N/A
IEEE 1394	N/A
LAN	1 x Gigabit
Parallel	N/A
GPIO	N/A
OS Support	
OS Support	Windows 7, Windows 10
Power/Thermal Specs	
Power Requirement (Max)	Powered By 802.3bt Type 3/4 PoE
Power Consumption (Average)	43W
Recommended Power Supply	62 W
Heat Dissipation (Average)	147 BTU/hr
Physical Information	
Mounting	Pedestal Mount
Net Weight	20 Lbs/9.07 kg
Dimension (W x H x D)	24.57 x 59.69 x 13.58 inch 624 x 1516.3 x 344.89 mm
IP/MENA Rating	Meets NEMA 4X / IP65
Certification	N/A
Environmental	
Operation Temperature	0-35°C (32-95°F)
Storage Temperature	-20-60°C (-4-140°F)
Relative Humidity	0~95%

Dimension Drawing

AMA-7421AX-E01
Size Unit: inch(mm)



Ordering Information

Item	AMA-7421AX E01-A06-000A	AMA-7421AX E01-A06-000B	AMA-7421AX E01-A06-000C
LCD Display	21.5" LCD / 1920 x 1080	21.5" LCD / 1920 x 1080	21.5" LCD / 1920 x 1080
Touch Screen	Projected Capacitive	Projected Capacitive	Projected Capacitive
Enclosure	316L Stainless Steel	316L Stainless Steel	316L Stainless Steel
CPU	Intel Celeron J1900 @ 1.99GHz / Atom E3845 @ 1.91GHz CPU	Intel Celeron J1900 @ 1.99GHz / Atom E3845 @ 1.91GHz CPU	Intel Celeron J1900 @ 1.99GHz / Atom E3845 @ 1.91GHz CPU
Memory	4GB DDR3	4GB DDR3	4GB DDR3
Storage	N/A	N/A	N/A
Keyboard Option	KB-115A-AX	KB-115B-AX	KB-115C-AX
Remote Boot	ThinManager Ready	ThinManager Ready	ThinManager Ready
Operating System	N/A	N/A	N/A
Operating Voltage	Powered by PoE 802.3bt (PoE Injector can be ordered separately)	Powered by PoE 802.3bt (PoE Injector can be ordered separately)	Powered by PoE 802.3bt (PoE Injector can be ordered separately)
Item	AMA-7421AX-E01-A34-000A	AMA-7421AX-E01-A34-000B	AMA-7421AX-E01-A34-000C
LCD Display	21.5" LCD / 1920 x 1080	21.5" LCD / 1920 x 1080	21.5" LCD / 1920 x 1080
Touch Screen	Projected Capacitive	Projected Capacitive	Projected Capacitive
Enclosure	316L Stainless Steel	316L Stainless Steel	316L Stainless Steel
CPU	Intel Celeron J1900 @ 1.99GHz / Atom E3845 @ 1.91GHz CPU	Intel Celeron J1900 @ 1.99GHz / Atom E3845 @ 1.91GHz CPU	Intel Celeron J1900 @ 1.99GHz / Atom E3845 @ 1.91GHz CPU
Memory	8GB DDR3	8GB DDR3	8GB DDR3
Storage	2.5" SATA SSD	2.5" SATA SSD	2.5" SATA SSD
Keyboard Option	KB-115A-AX	KB-115B-AX	KB-115C-AX
Remote Boot	N/A	N/A	N/A
Operating System	Optional	Optional	Optional
Operating Voltage	Powered by PoE 802.3bt (PoE Injector can be ordered separately)	Powered by PoE 802.3bt (PoE Injector can be ordered separately)	Powered by PoE 802.3bt (PoE Injector can be ordered separately)